

Grip NxT

Stool

Design — Mikko Halonen



The Grip NxT stool is very versatile and it is suitable for both learning and working environments. The stool without upholstery can be hung on a tabletop without a separate hanger.



MATERIAL DESCRIPTION:

Base: painted grey, white, black or Inspiring Colours

Felt or plastic glides

The form-pressed seat in laminate:

oak or birch pattern, white, grey, Apricot Nude, Sand Yellow or Sage Green

Upholstered seat cushion also available

PRODUCT CODE NUMBER:

NxT0045(C) = low

NxT0065(C) = high

C = upholstered seat

FABRIC CONSUMPTION:

0.4 m / 2 pcs

WEIGHT:

NxT0045: 2.8 kg

NxT0045C: 3 kg

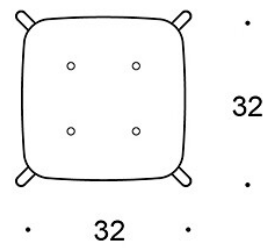
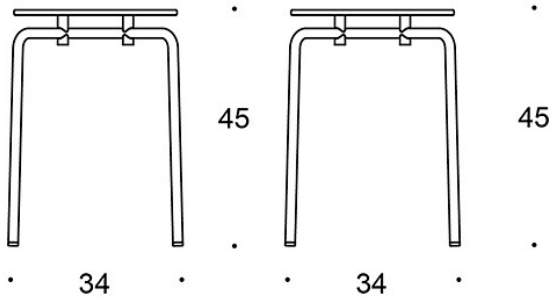
NxT0065: 4.3 kg

NxT0065C: 4.5 kg

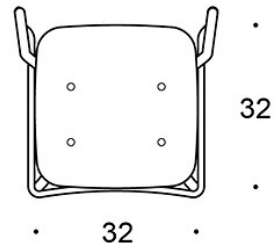
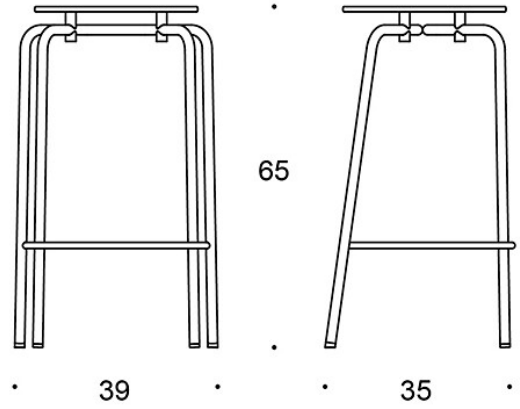
FEATURES:

- stool without upholstery can be hung without a separate fitting
- cannot be hung on Trivia OP1311 and OP1321 school tables
- stackable

Dimensional drawing:

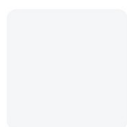


NXT0045

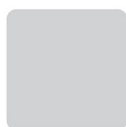


NXT0065

Standard materials:



L11



L43



HPL233



HPL124



HPL213



KL



TL1